

SMART HUB

Productenblatt

An extendable hub built for smart homes and device control. It comes in a fuse-box fitting housing and can be extended with ZWave, Zigbee, LTE, and more.

For other installation guides or products sheet, see documents.sensorberg.com



Sensorberg GmbH
Mauerstraße 78-80
10117 Berlin, Germany

support@sensorberg.com
Support: +49 30 62 20 80 75
Sales: +49 30 62 20 80 73

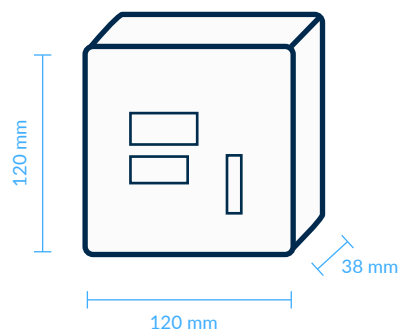
PRODUCT DETAILS

Power supply	PoE+ (12v power adapter available upon request)
Supply voltage	up to 48 V DC (commonly 12V DC, managed by PoE+ switch)
Power consumption	2-3W (idle) 11W (maximum)
Temperature	-20°C to +50°C

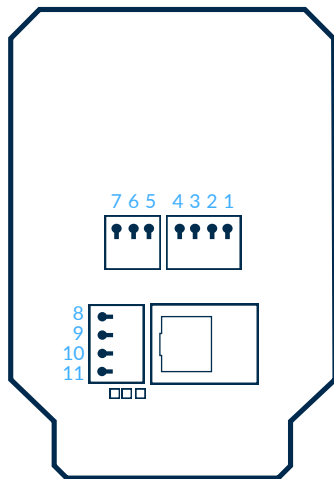
CPU	ARM Cortex-A53
Microprocessor	1200 Mhz
Cores	4
Memory Ram	1 GB of LPDDR2-SDRAM
Storage	4 GB eMMc storage
LED	3 RGB LEDs on the top for status indication
Other	Onboard speaker (optional sound signals) Several extention boards available (upon request)

Supports	Z-WAVE, BLE, NFC, Magnetic field technology
----------	---

Measures



ELECTRICAL CONNECTIONS



Terminal	Function
1	V in (Up to 48V)
2	V out (potential free contact 1 max. 600mA)
3	V out (potential free contact 2 max. 600mA)
4	V out (potential free contact 3 max. 600mA)
5	12V out for indication signal
6	Indication NO
7	Indication NC
8	Optional V in (change jumper position*)
9	12V power output for electrical strikes (max. 600mA)
10	GND
11	12V power output (max. 1A)
JP1	Jumper for door opener supply

*Left: Normal mode 12V out on terminal 9. Terminal 8 not used

Right: Optional V in from terminal 8 used for door opener supply on terminal 9

INSTALLATION TIPS

The Smart Hub will be powered with POE+ 802.3at

It comes with a pre-fitted DIN rail mounter.

Do NOT install it behind metal breaker panel door or with close proximity to metal surfaces as the metal will cause disturbances in the signal strength and reliability.

Ethernet has to be routed in a separate VLAN, exclusive for Sensorberg devices. A building appliance in the server room connected in the same VLAN increases security of the solution even further.

For further use cases Sensorberg offers multiple extension boards to control lockers, elevators, security sensors or external sensors via zWave with the same hardware. Contact your Sales person if you are interested.