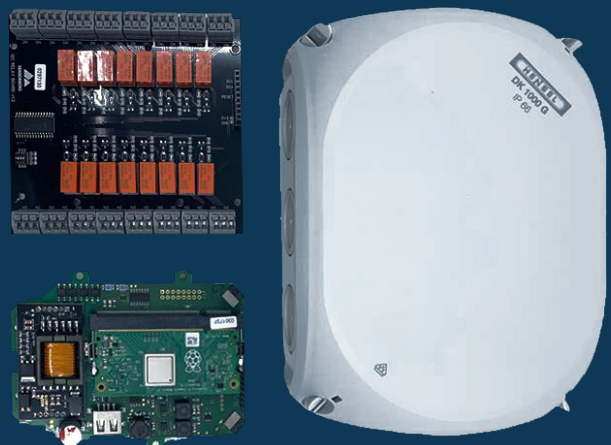


EXTENSION HUB

Product Sheet

Provides relays to control access and electrical locks. The Extension Hub works in combination with other Sensorberg products (e.g. Access Hub Protect, Access Hub Lite) and cannot be used as a stand alone product.

For other installation guides or products sheet, see documents.sensorberg.com



Sensorberg GmbH
Mauerstraße 78-80
10117 Berlin, Germany

support@sensorberg.com
Support: +49 30 62 20 80 75
Sales: +49 30 62 20 80 73

PRODUCT DETAILS

Power supply	PoE+ (12v power adapter available upon request)
Supply voltage	up to 48 V DC (commonly 12V DC, managed by PoE+ switch)
Power consumption	2-3W (idle) 11W (maximum)
Temperature	-20°C to +50°C

Case	Different size depending on how many stacked boards there are. More information here
------	---

CPU	ARM Cortex-A53
Microprocessor	1200 Mhz
Cores	4
Memory Ram	1 GB of LPDDR2-SDRAM
Storage	4 GB eMMc storage

Other	It is possible to stack up to 8 relay boards in order to have 128 ports in total
-------	--

Supports	BLE
----------	-----

INSTALLATION TIPS

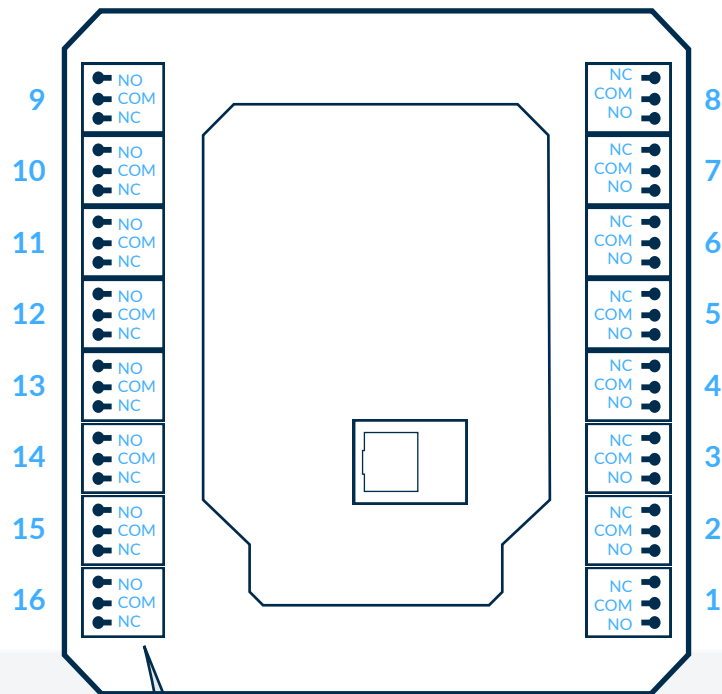
- The Extension Hub needs to be powered with POE+ 802.3at.
- Ethernet has to be routed in a separate VLAN, exclusive for Sensorberg devices.

Check out the [Extension Hub installation guide](#).

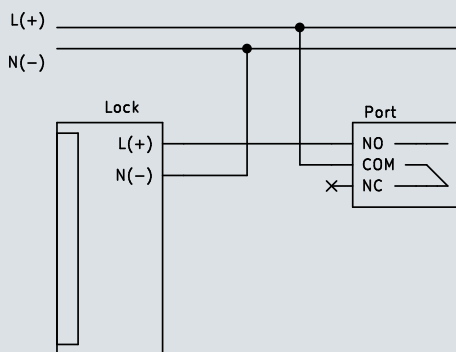
ELECTRICAL CONNECTIONS

Terminal	Function
1-16	30 VDC, 2 A (resistive)
	110 VDC, 0.3 A (resistive)
	125 VAC, 0.5 A (resistive)

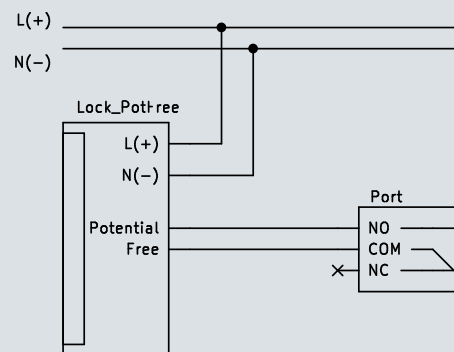
	NO
	Normally Open
	NC
	Normally Closed



Load Switching



Potential free switch



USE CASES

Doors

Up to 128 locks - It does not work with southCo nor Häfele locks.

