

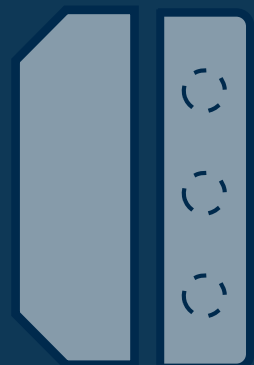


ELEVATOR CONTROL HUB

Product Sheet

Able to activate up to 16 specific floors in elevators in combination with a wall reader (Access Hub Protect) in the cabin.

For other installation guides or products sheet, see documents.sensorberg.com



Sensorberg GmbH
Mauerstraße 78-80
10117 Berlin, Germany

support@sensorberg.com
Support: +49 30 62 20 80 75
Sales: +49 30 62 20 80 73

PRODUCT DETAILS

Power supply	PoE+ (12v power adapter available upon request)
Supply voltage	up to 48 V DC (commonly 12V DC, managed by PoE+ switch)
Power consumption	2-3W (idle) 11W (maximum)
Temperature	-20°C to +50°C

Case	Different size depending on how many stacked boards there are. More information here
------	---

CPU	ARM Cortex-A53
Microprocessor	1200 Mhz
Cores	4
Memory Ram	1 GB of LPDDR2-SDRAM
Storage	4 GB eMMC storage

Other	It is possible to stack up to 8 relay boards in order to have 128 ports in total
-------	--

Supports	BLE
----------	-----

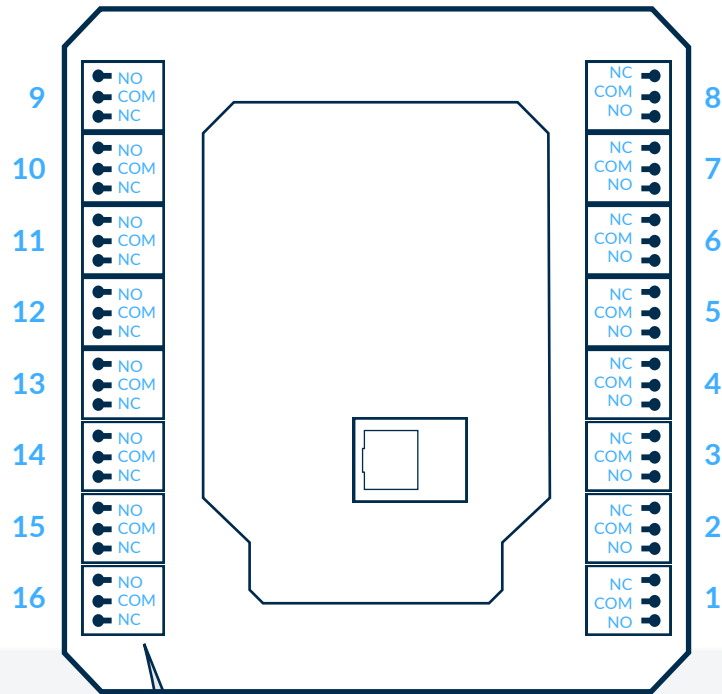
INSTALLATION TIPS

- The Elevator Control Unit needs to be powered with POE+ 802.3at.
- Ethernet has to be routed in a separate VLAN, exclusive for Sensorberg devices.

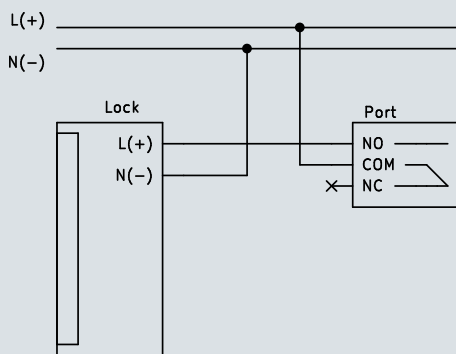
Check out the [Elevator Control Hub installation guide](#).

ELECTRICAL CONNECTIONS

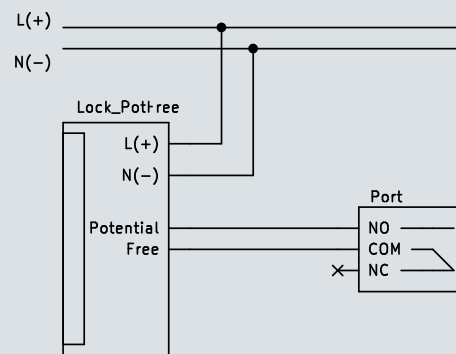
Terminal	Function	
1-16	30 VDC, 2 A (resistive)	
	110 VDC, 0.3 A (resistive)	
	125 VAC, 0.5 A (resistive)	



Load Switching



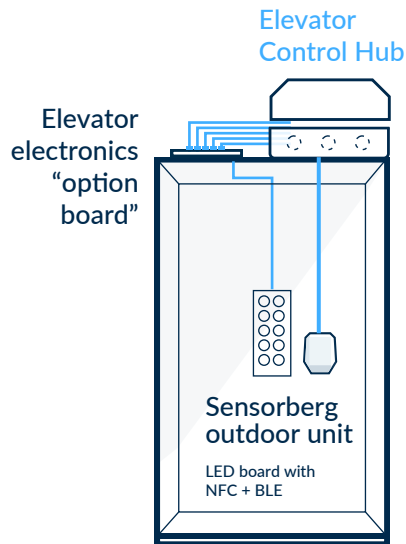
Potential free switch



USE CASES

Elevator

The Elevator and the Elevator Control Hub are in the same room



The Elevator Control Hub is placed in the server room

