

## CONTROL UNIT

### Product Sheet

Able to control electrical locks and provide dry contacts to open locks and activate specific floors in elevators.

The Control Unit combines with other Sensorberg product (e.g. Access Hub, Access Hub Lite). It does NOT work by itself!

For other installation guides or products sheet, see [documents.sensorberg.com](https://documents.sensorberg.com)



Sensorberg GmbH  
Mauerstraße 78-80  
10117 Berlin, Germany

[support@sensorberg.com](mailto:support@sensorberg.com)  
Support: +49 30 62 20 80 75  
Sales: +49 30 62 20 80 73

## PRODUCT DETAILS

Power supply	PoE+ (12v power adapter available upon request)
Supply voltage	up to 48 V DC (commonly 12V DC, managed by PoE+ switch)
Power consumption	2-3W (idle)   11W (maximum)
Temperature	-20°C to +50°C

---

Case	Different size depending on how many stacked boards there are. More information <a href="#">here</a>
------	---

---

CPU	ARM Cortex-A53
Microprocessor	1200 Mhz
Cores	4
Memory Ram	1 GB of LPDDR2-SDRAM
Storage	4 GB eMMc storage

Other	It is possible to stack up to 8 relay boards in order to have 128 ports in total
-------	--

---

Supports	BLE
----------	-----

---

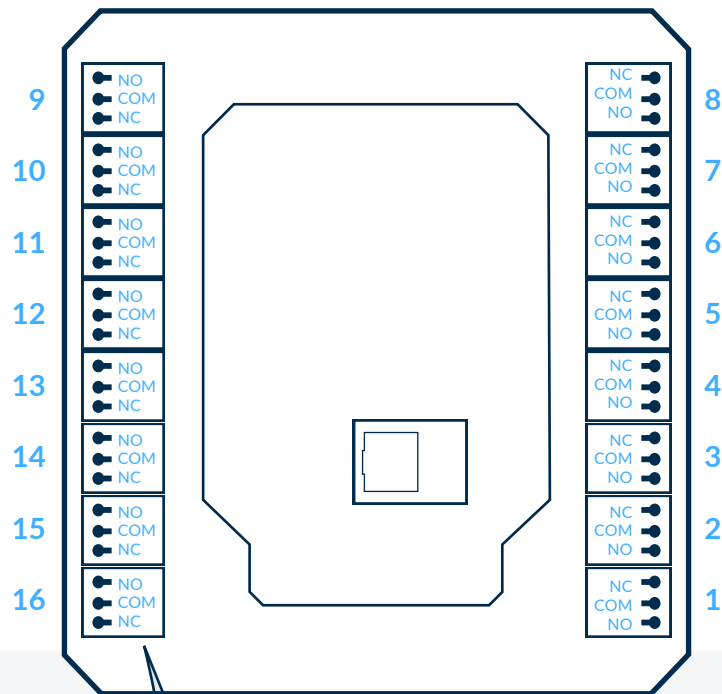
## INSTALLATION TIPS

- The Control Unit needs to be powered with POE+ 802.3at.
- Ethernet has to be routed in a separate VLAN, exclusive for Sensorberg devices.

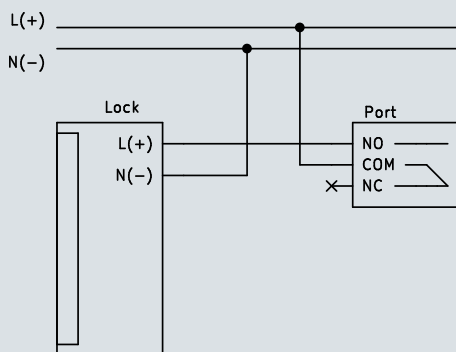
Check out the [Control Unit installation guide](#).

# ELECTRICAL CONNECTIONS

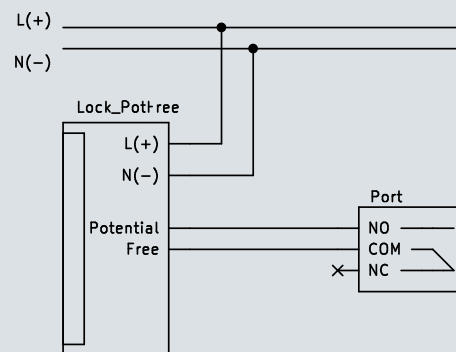
Terminal	Function	
1-16	30 VDC, 2 A (resistive)	<p>NO Normally Open</p> <p>NC Normally Closed</p>
	110 VDC, 0.3 A (resistive)	
	125 VAC, 0.5 A (resistive)	



## Load Switching



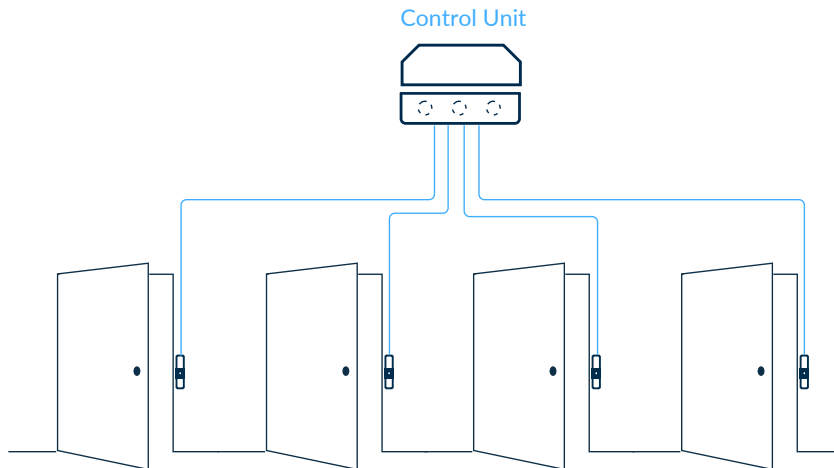
## Potential free switch



## USE CASES

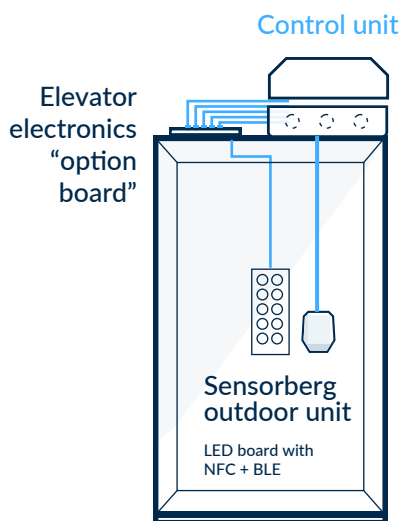
### Doors

Up to 128 locks - It does not work with southCo nor Häfele locks.



### Elevator

Elevator and Control Unit  
in the same room



Control Unit is placed in  
the server room

