

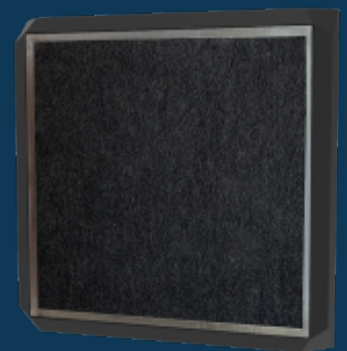


ACCESS HUB LITE

Product Sheet

A Wifi-enabled, slimmer profile Access Hub that can also be powered by either AC or DC, making its placement more flexible. Provides access via WiFi, Bluetooth, in-built NFC and touch-button.

For other installation guides or products sheet, check documents.sensorberg.com



Sensorberg GmbH
Mauerstraße 78-80
10117 Berlin, Germany

support@sensorberg.com
Support: +49 30 62 20 80 75
Sales: +49 30 62 20 80 73

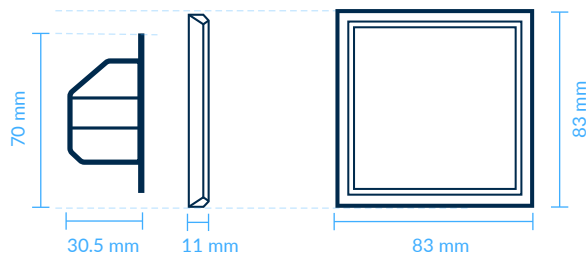
PRODUCT DETAILS

Power Suply	Available with DC power supply or AC power supply
Supply voltage	DC: 5V bis zu 48V DC AC: 230V 50Hz
Power consumption	~1W (Idle) ~10W (maximum)
Temperature	-20°C to +50°C

Case (2 parts)	RAL 7016 anthrazite grey
-------------------	--------------------------

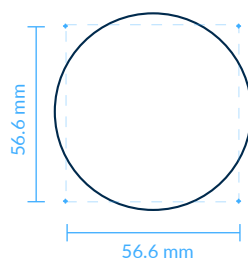
Microprocessor	2x low-power Xtensa® 32-bit LX6 external QSPI flash and SRAM
Storage	16 MB PSRAM and 4 MB flash
LED	4 RGBW LEDs on the top for status indication
Other	On-board NFC, WLAN, Bluetooth und Touch-Sensor
Supports	Magnetic field technology

Measures

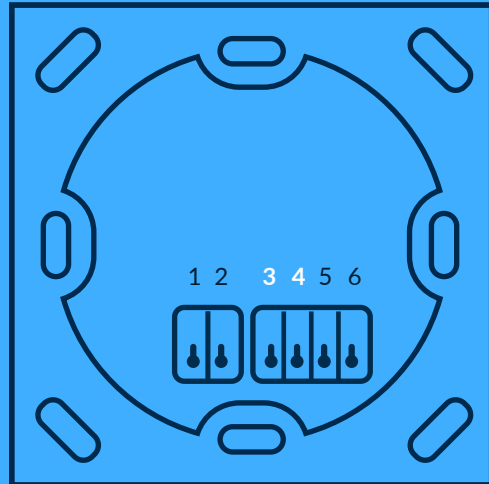


Drilling Template

Check the real
size template on
the last page



ELECTRICAL CONNECTIONS



Terminal	Function
1	V in (up to 48V)
2	V out (potential free contact max. 600mA)
5	12V out for indication signal
6	Indication NO

DC Power Supply

3	V in 5-48V
4	GND

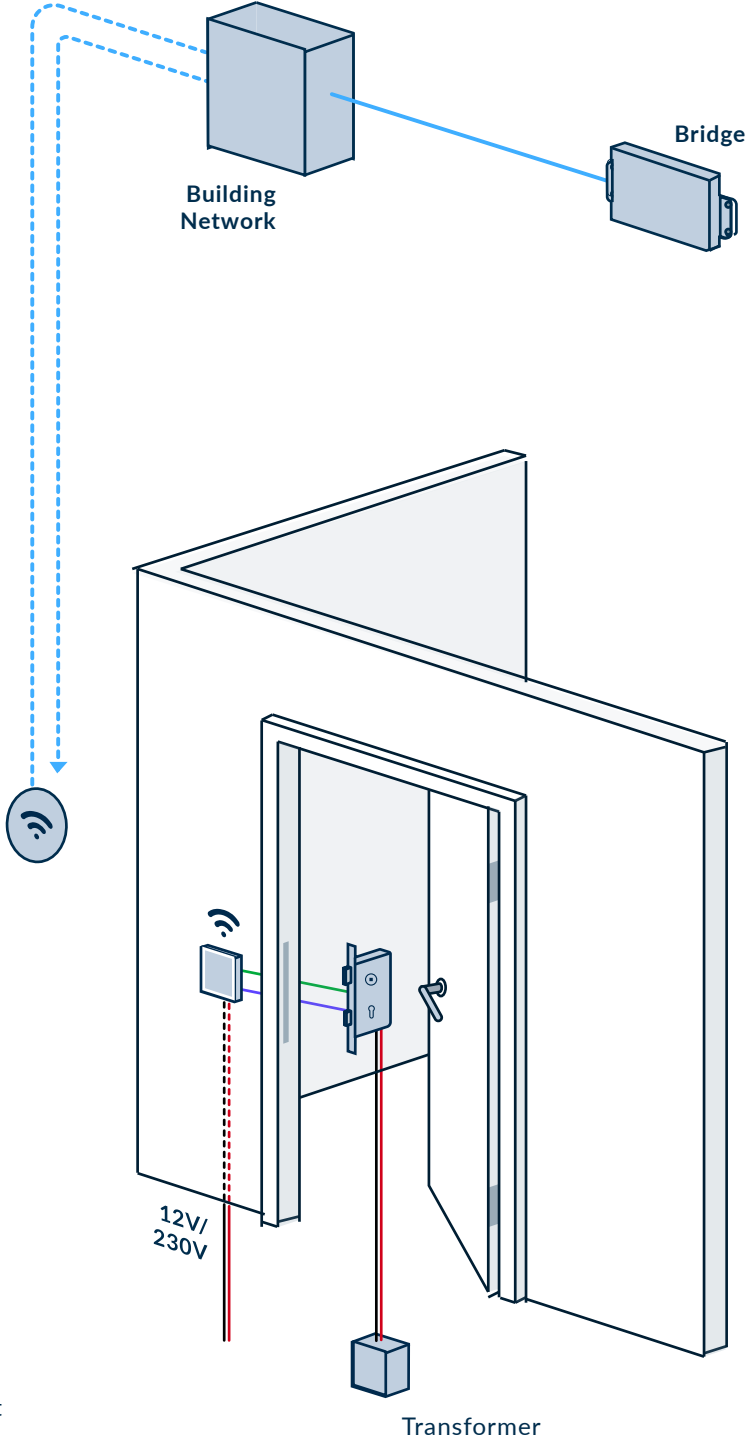
AC Power Supply

3	L - 230V 50Hz
4	N

INSTALLATION TIPS

A building appliance in the server room connected in the same VLAN increases security of the solution even further.

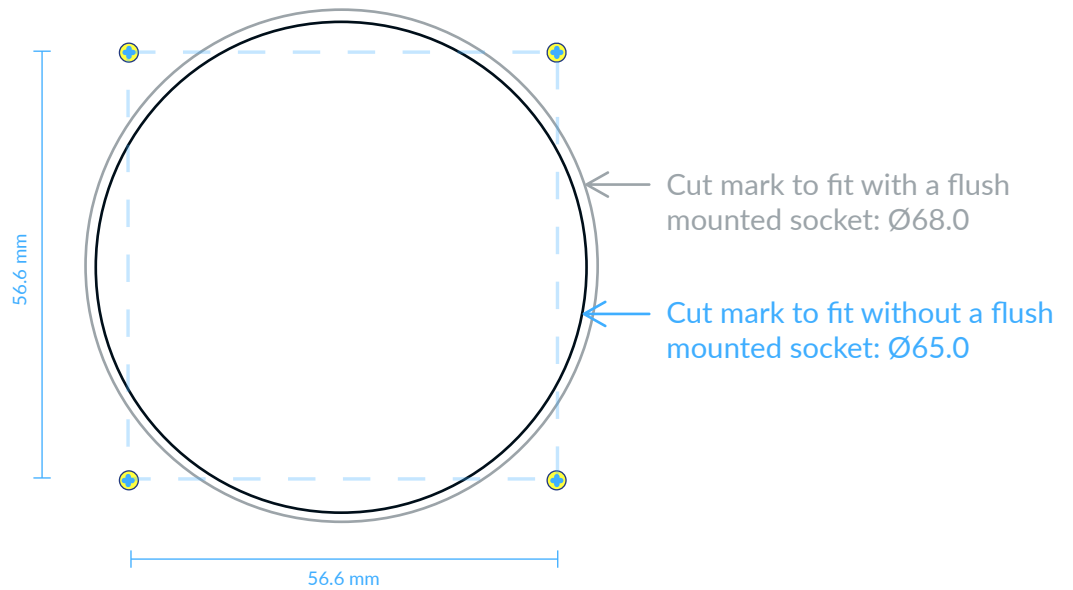
HOW IT WORKS



- Reed contact
- Connection cable
- Trigger cable
- Power cable 2 phases

DRILLING TEMPLATE

You can print this page in a *real size* and use it as a template for marking the cutting area in your board.



- 4x holes: $\text{Ø}3.5$
for flat head screw M3x20
(Material thickness up to 3mm)