

PRODUCT FRAMEWORK

/ Aim

/ Product Portfolio

/ Products

/ Components

/ Software

/ Use cases

Sensorberg GmbH
Mauerstraße 78-80
10117 Berlin, Germany

info@sensorberg.com | +49 30 275 830 21



Sensorberg provides an open digital ecosystem for smart spaces, composed of modular hardware and secure, customisable software.

We provide solutions for access control, facility management, smart home management, smart storage, and more.

We believe in shaping spaces so that people can focus on what's truly important.



HARDWARE PRODUCT PORTFOLIO

SENSORBERG HARDWARE PORTFOLIO



Access Hub



Access Hub Lite



Bridge



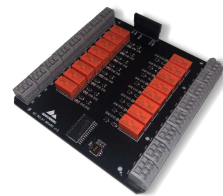
Access Hub Protect



Access Hub Lite Protect



Access Scanner



Elevator Control Unit



Multiplexer



Smart Hub

3RD PARTY HARDWARE PORTFOLIO



Digital Handle



Cards and Fobs



Soutchco Lock



Digital Fitting



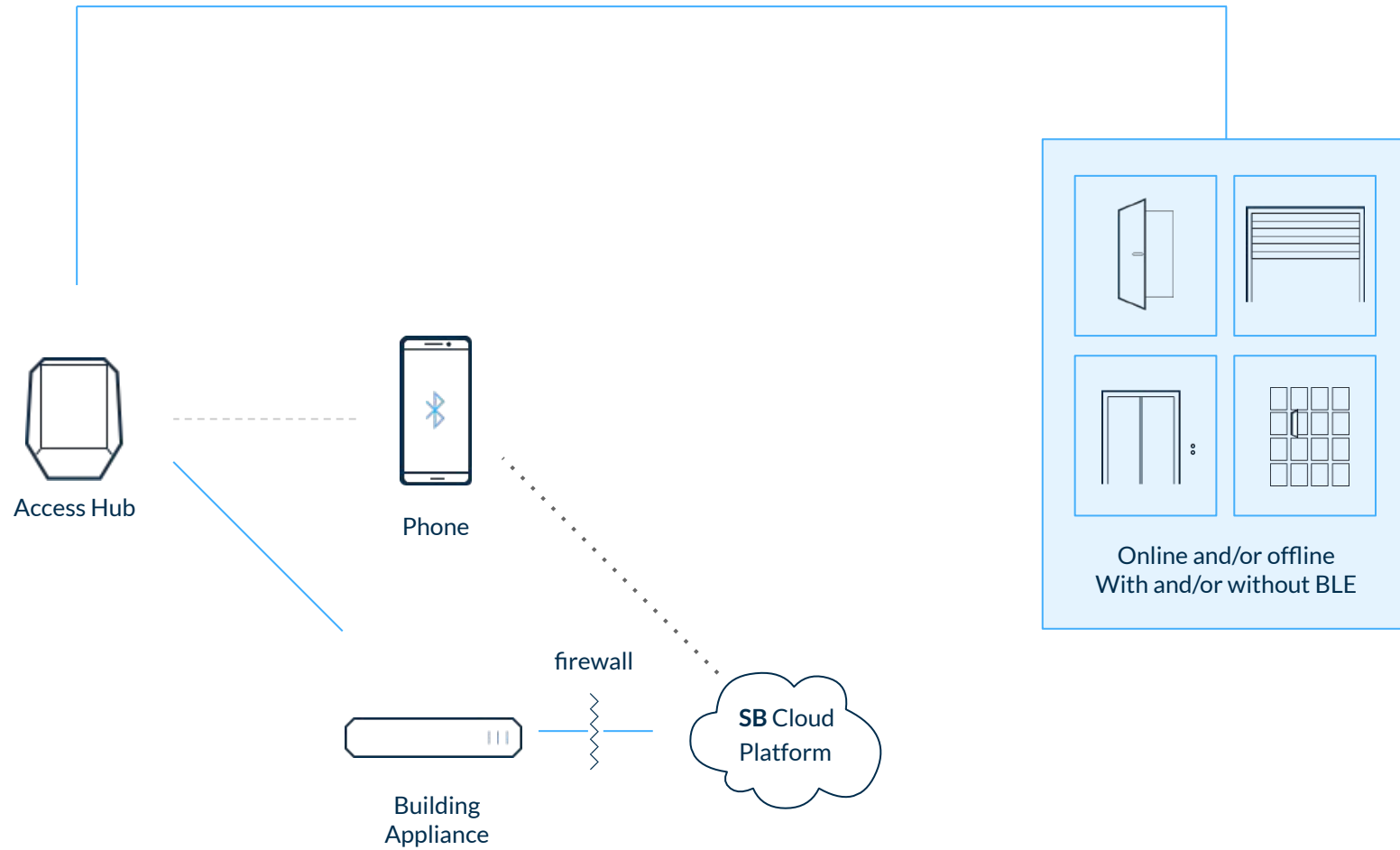
U&Z
Digital Cylinder



ISEO
Digital Cylinder

Sensorberg Access System

Overview Access Hub



Communication Technologies
secured by SSH/VPN

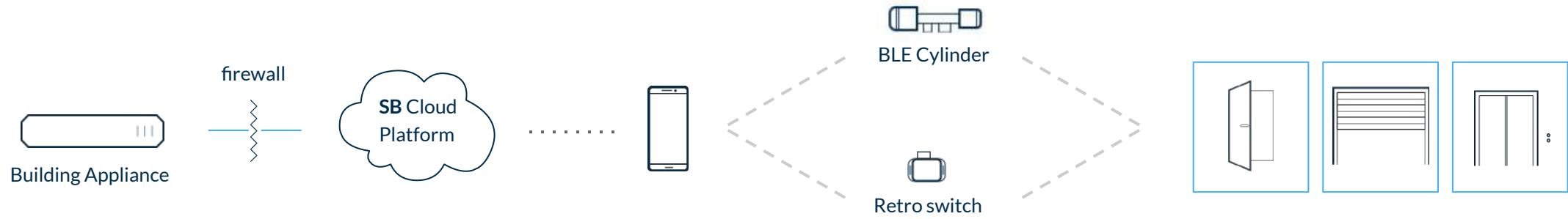
Bluetooth (BLE)

Wireless

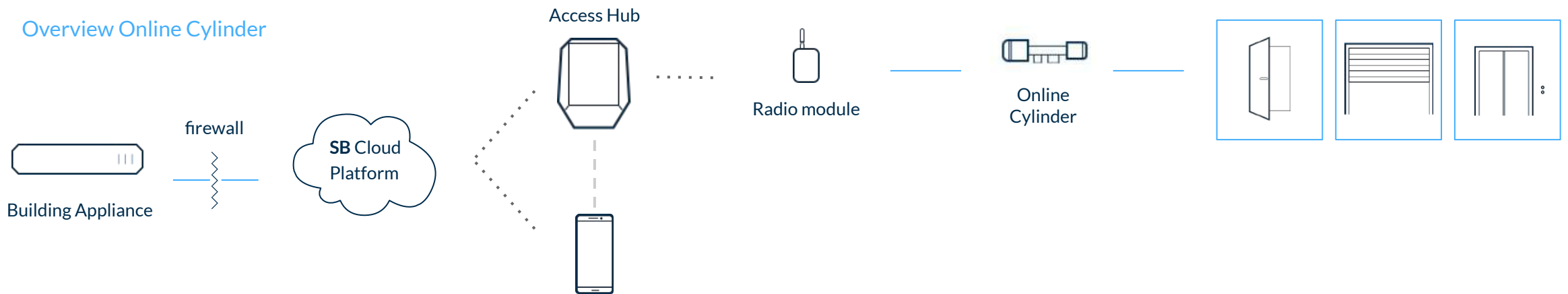
Cable

▲ Sensorberg Access System

Overview BLE (Bluetooth Low Energy) Hardware



Overview Online Cylinder

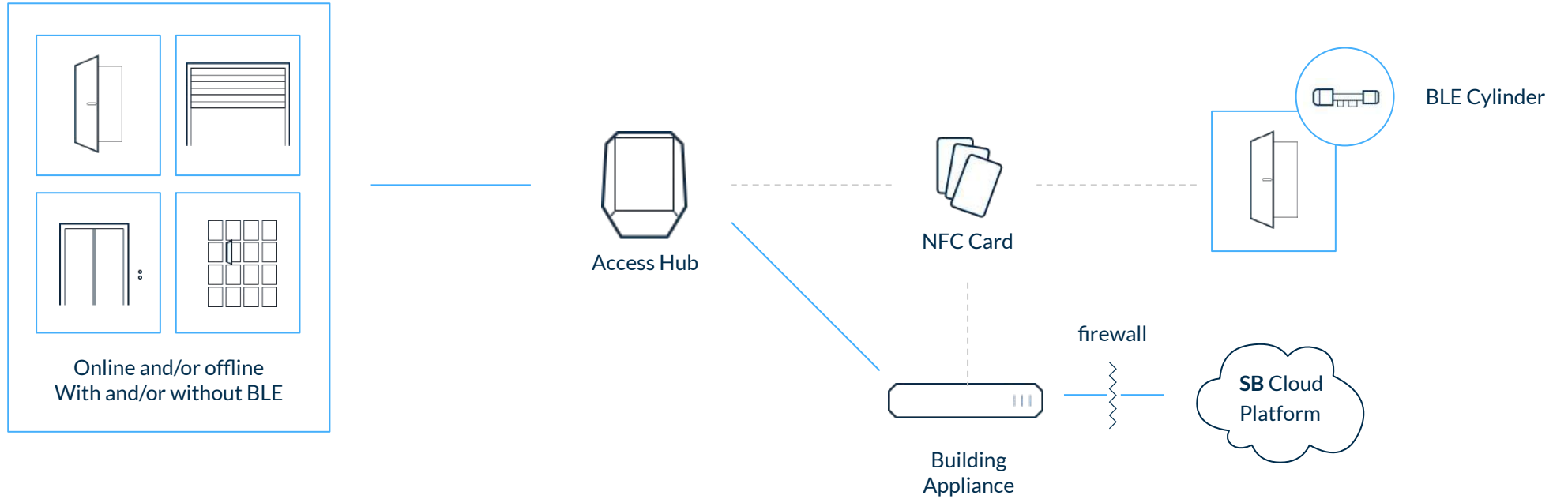


Communication Technologies secured by SSH/VPN

Bluetooth (BLE) Wireless Cable

Sensorberg Access System

Overview NFC



Communication Technologies
secured by SSH/VPN

Bluetooth (BLE)

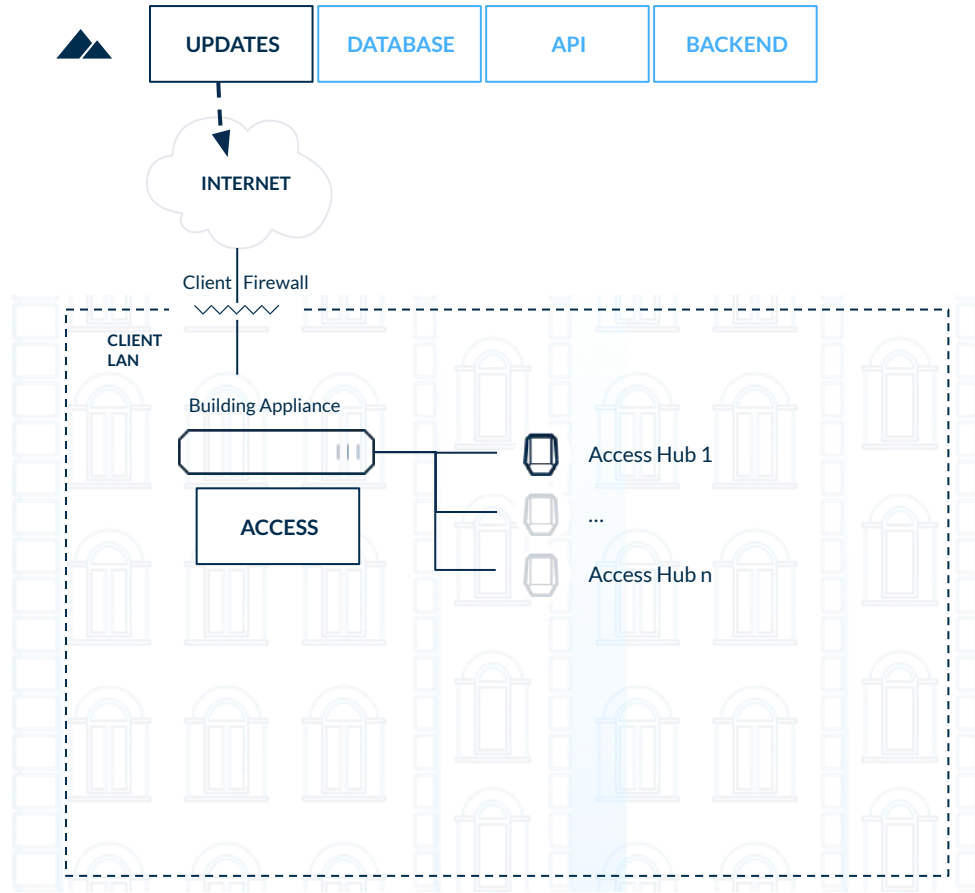
Wireless

Cable



SOFTWARE PORTFOLIO

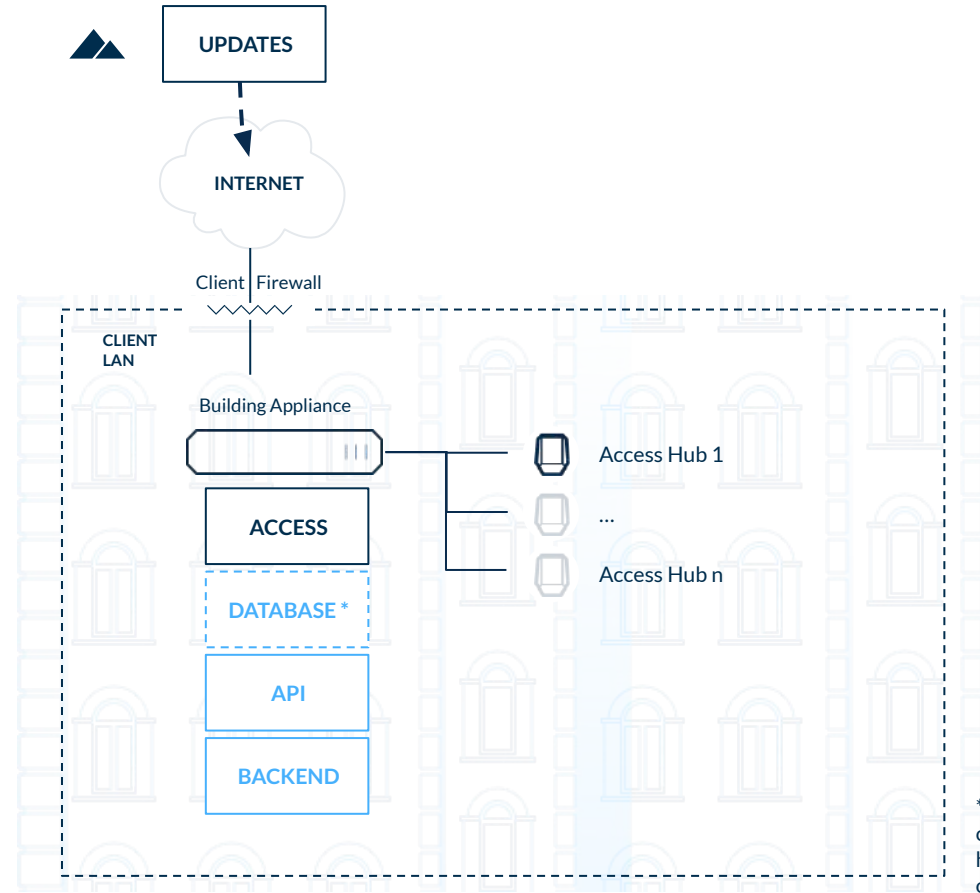
Hosted by Sensorberg



PLUG AND PLAY

- + Failover Backups
- Data on Sensorberg servers
Internet required
Uptime required
Higher network latency

Self Hosted On Premise

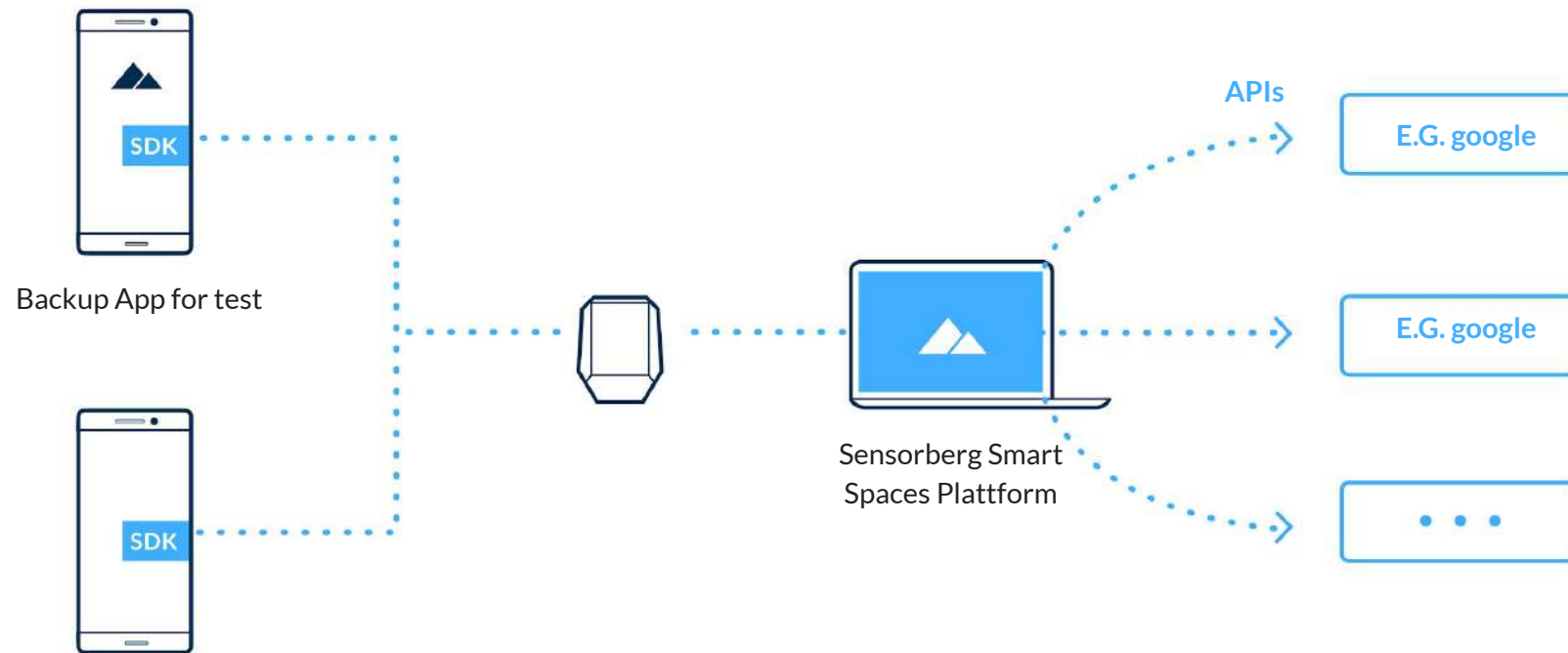


IN OWN HANDS

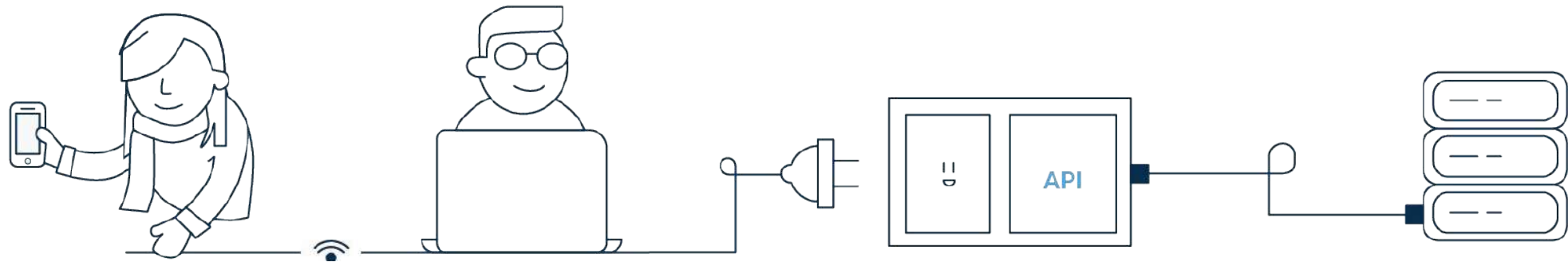
- + No Internet required
Lower network latency
Data only on your servers
- No Backups
No Failover **(optional)**

* Database could be hosted on own infrastructure

▲ Sensorberg SDK in custom client App



▲ Sensorberg API



End Users

have access to [Sensorberg's client](#) app that allows him to enter rooms and buildings among others.

[Sensorberg's clients](#) Developers

will access Sensorberg assets through our API to build mobile apps based on the data and software Sensorberg shares.

The API

provides universal access to what Sensorberg shares. Developers can "plug in" their apps and data.

Assets

[Sensorberg's client](#) data and app become more valuable by being leveraged by partners, developers and third-party services.

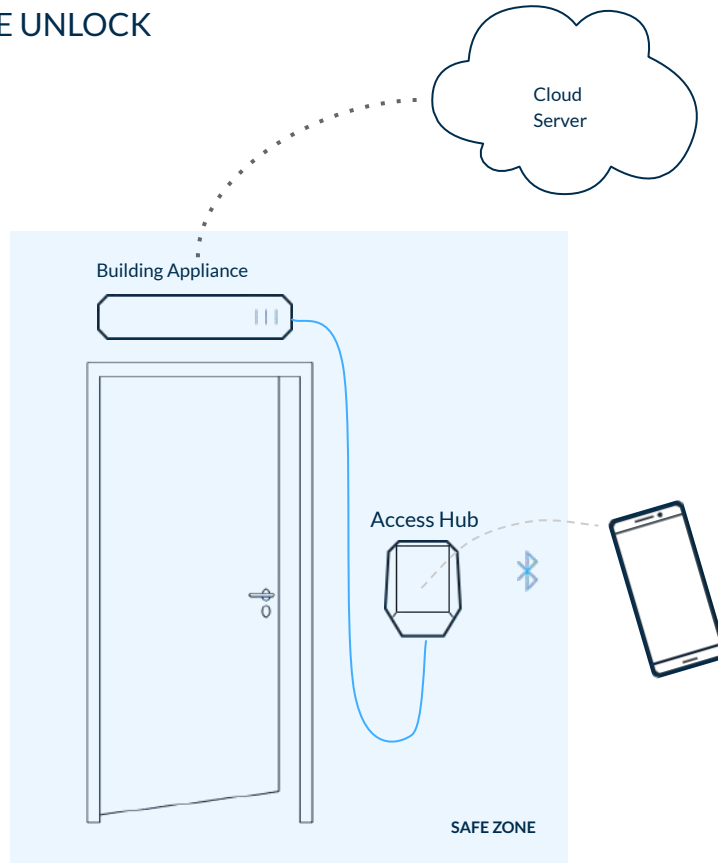


ACCESS HUB

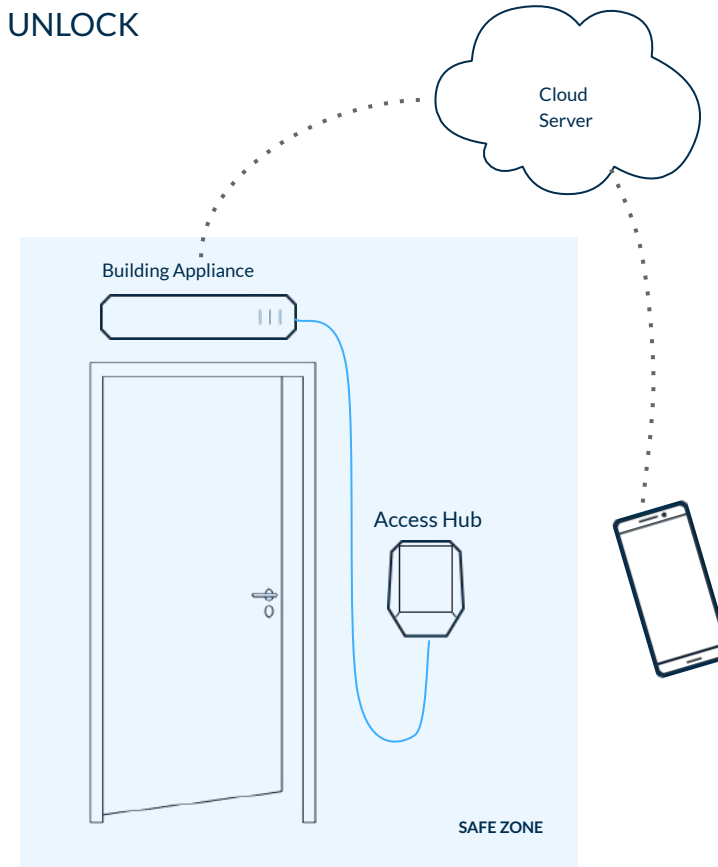
Our flagship access control device, used for access control, management and monitoring. Provides access via Bluetooth and LAN, with modular NFC and touch-button.

▲ Sensorberg Hybrid Unlock

BLE UNLOCK



IP UNLOCK



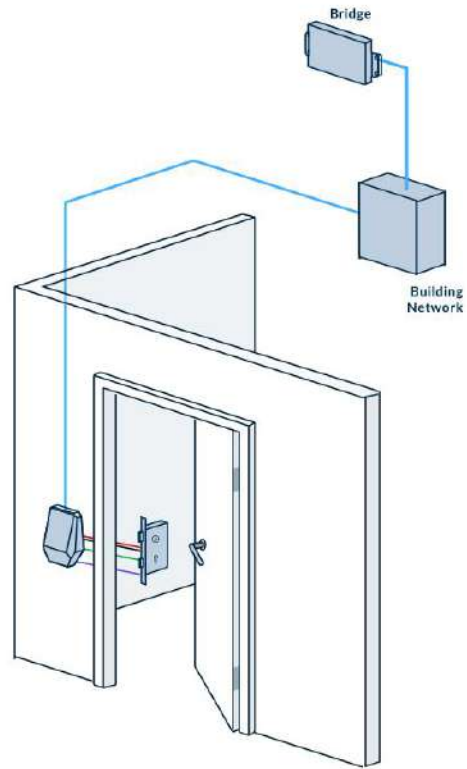
Communication Technologies
secured by SSH/VPN

Bluetooth (BLE)

Wireless

Cable

▲ Access Hub Scheme



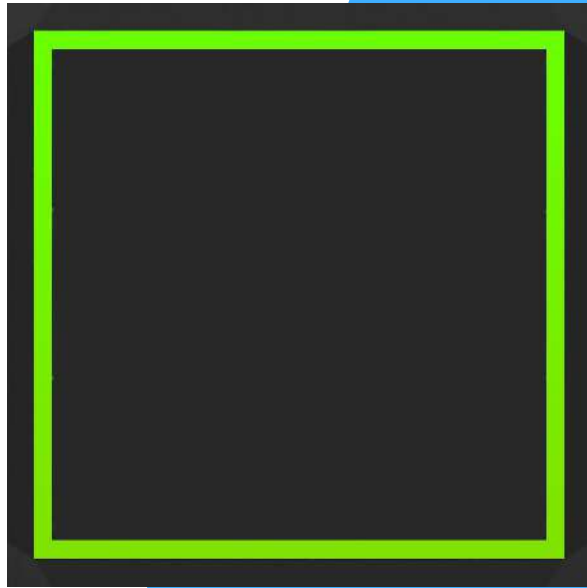
— Connection cable

— Unlock command
Potential free
12-24V opening

— Power cable 2 phases

— PoE

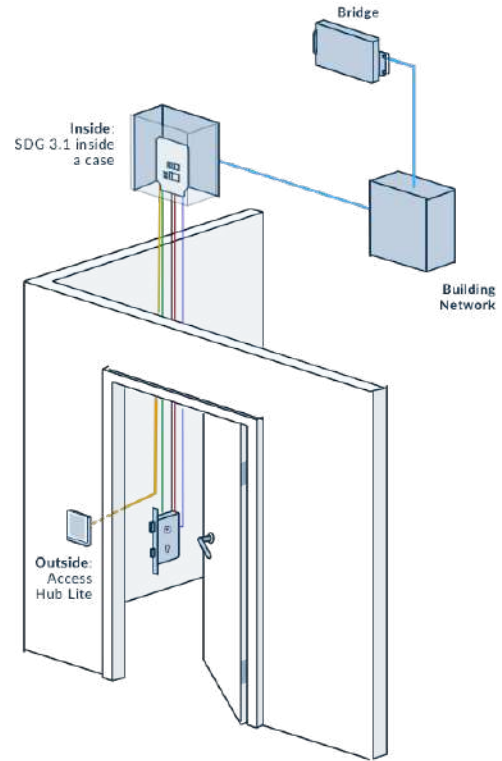
— Reed contact



ACCESS HUB PROTECT

Our flagship access control device, used for access control, management and monitoring. It offers the best protection from vandalism, damage and extreme weather. Provides access via Bluetooth and LAN, with modular NFC and touch-button.

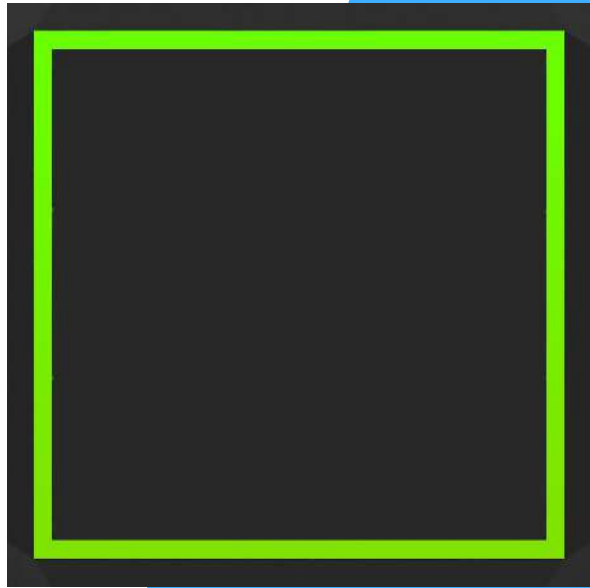
▲ Access Hub Protect Scheme



— Connection cable
— Unlock command
— Potential free
— 12-24V opening

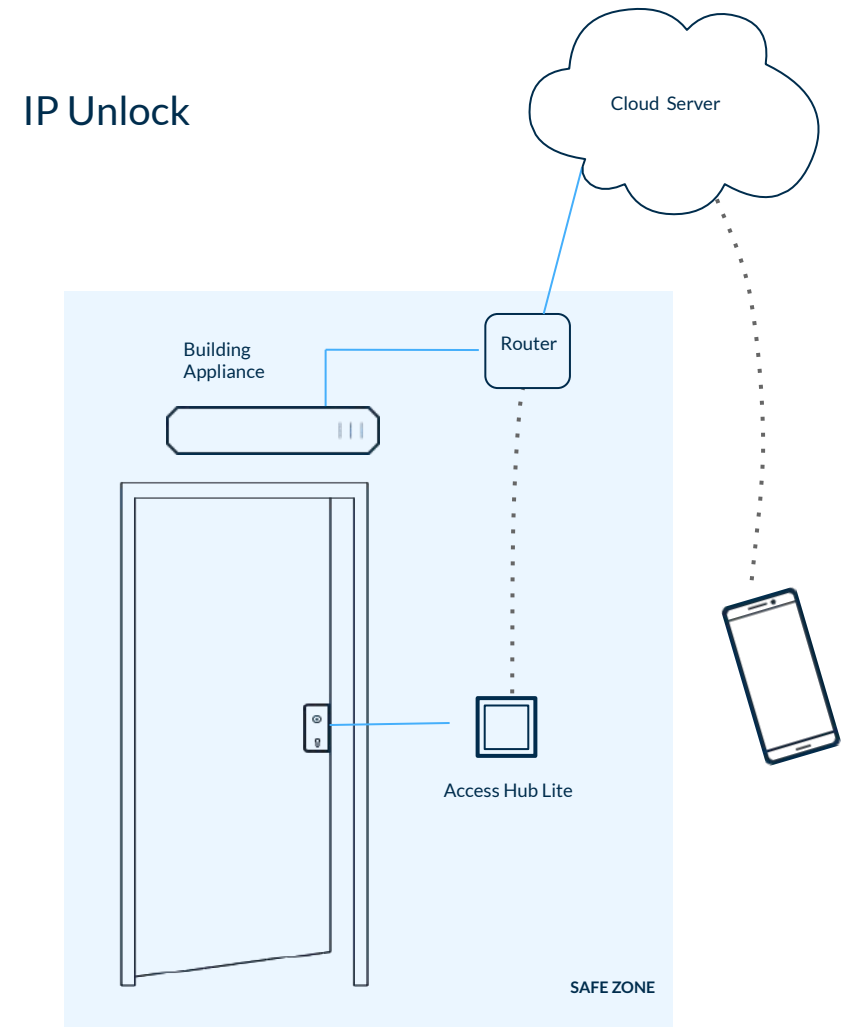
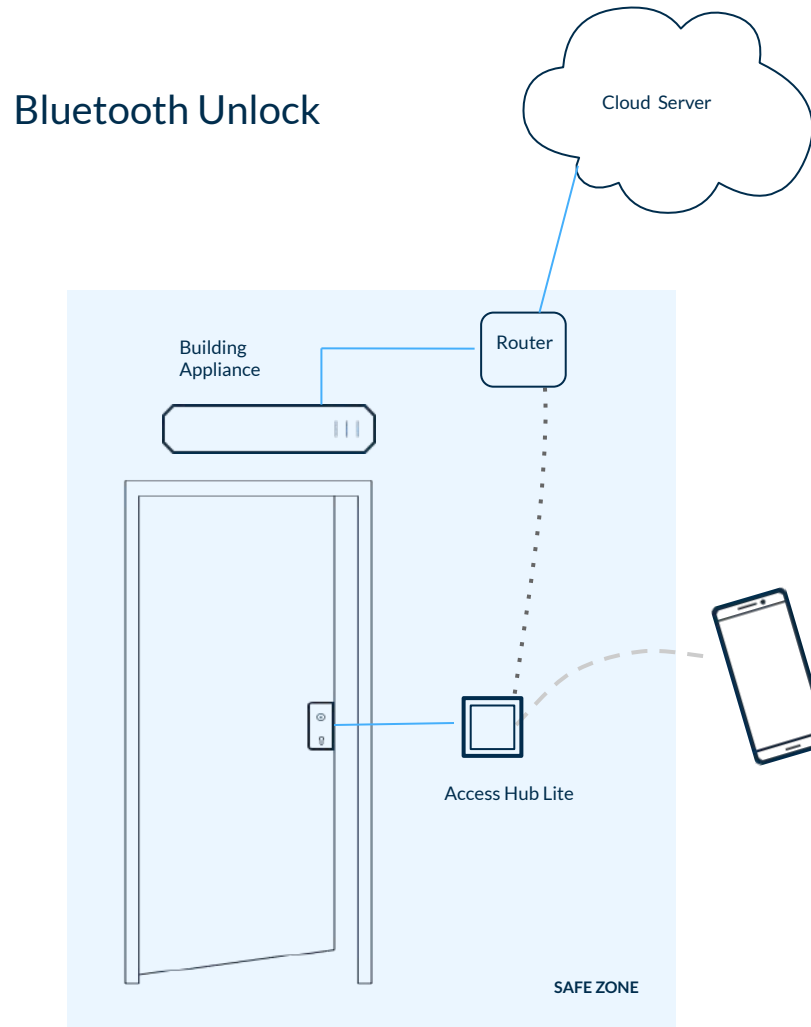
— Power cable 2 phases
— PoE

— Reed contact




ACCESS HUB LITE

A Wifi-enabled, slimmer profile Access Hub that can also be powered by either AC or DC, making its placement more flexible. Provides access via WiFi, Bluetooth, in-built NFC and touch-button.



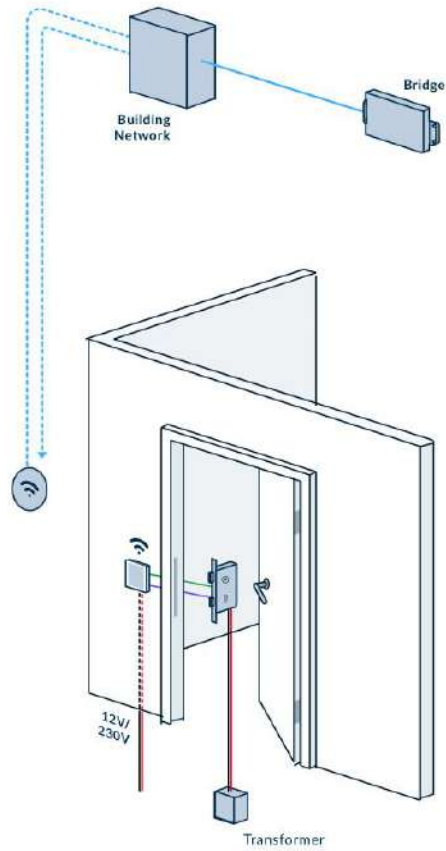
Communication Technologies secured by SSH/VPN

Bluetooth (BLE) 

Wireless 

Cable 

▲ Access Hub Lite Scheme



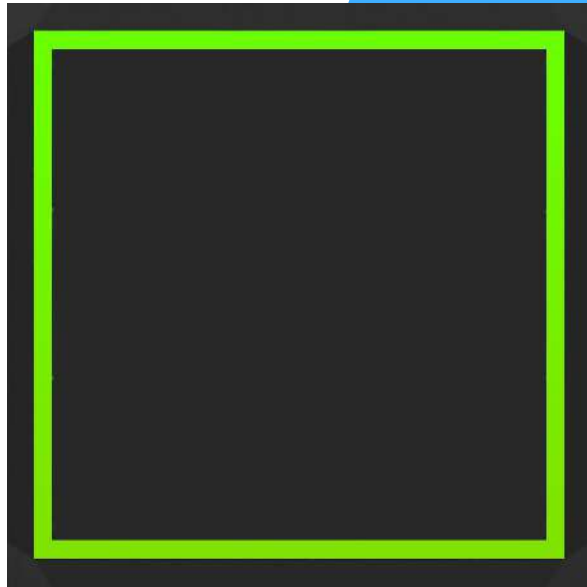
— Connection cable
— Unlock command
— Potential free
— 12-24V opening

— Power cable 2 phases
— PoE

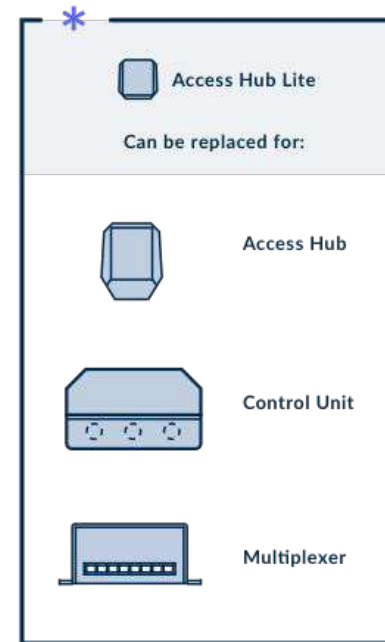
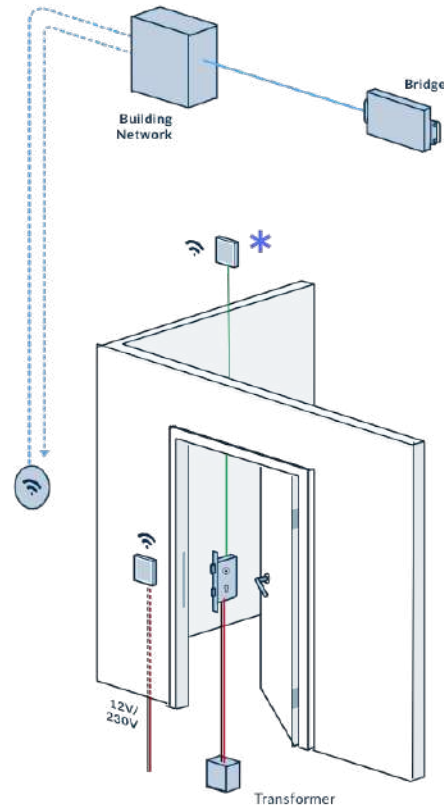
— Reed contact

ACCESS HUB LITE PROTECT

A Wifi-enabled, slimmer profile Access Hub that can also be powered by either AC or DC, making its placement more flexible. Provides access via WiFi, Bluetooth, in-built NFC and touch-button.



▲ Access Hub Lite Protect Scheme



— Connection cable
 — Unlock command
 — Potential free
 — 12-24V opening

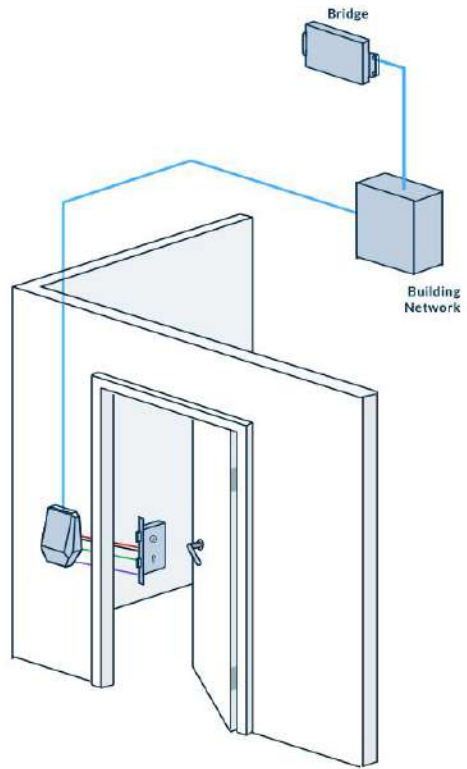
— Power cable 2 phases
 — PoE

— Reed contact

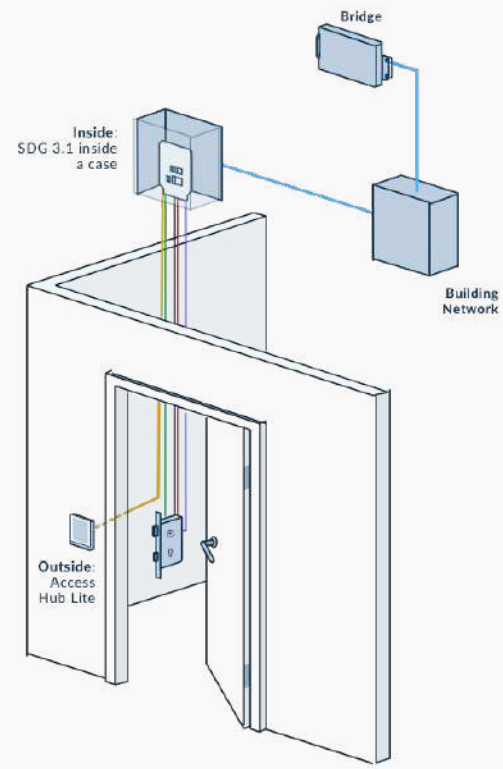


Comparison between products

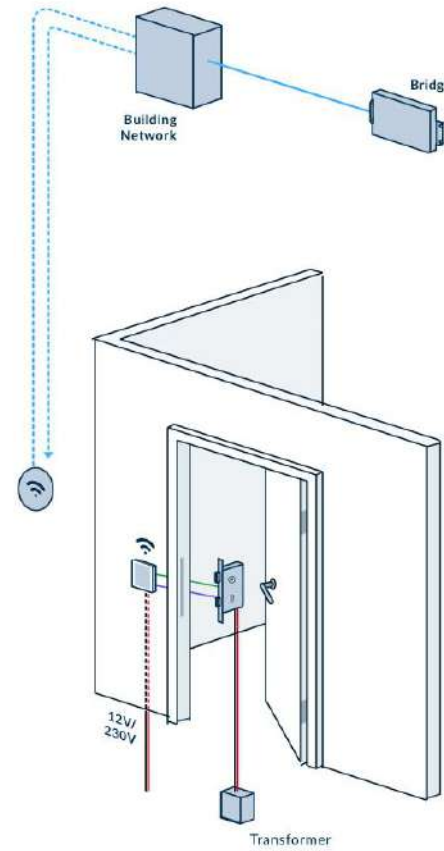
Access Hub



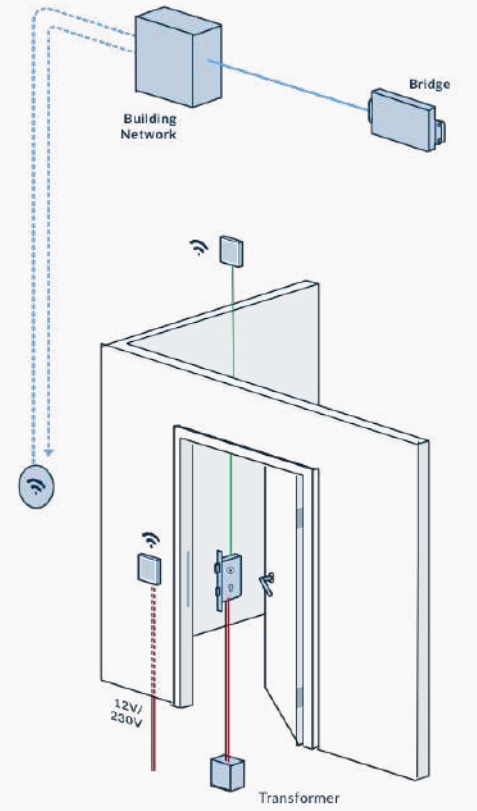
Access Hub Protect



Access Hub Lite



Access Hub Lite Protect



— Connection cable

— Power cable 2 phases

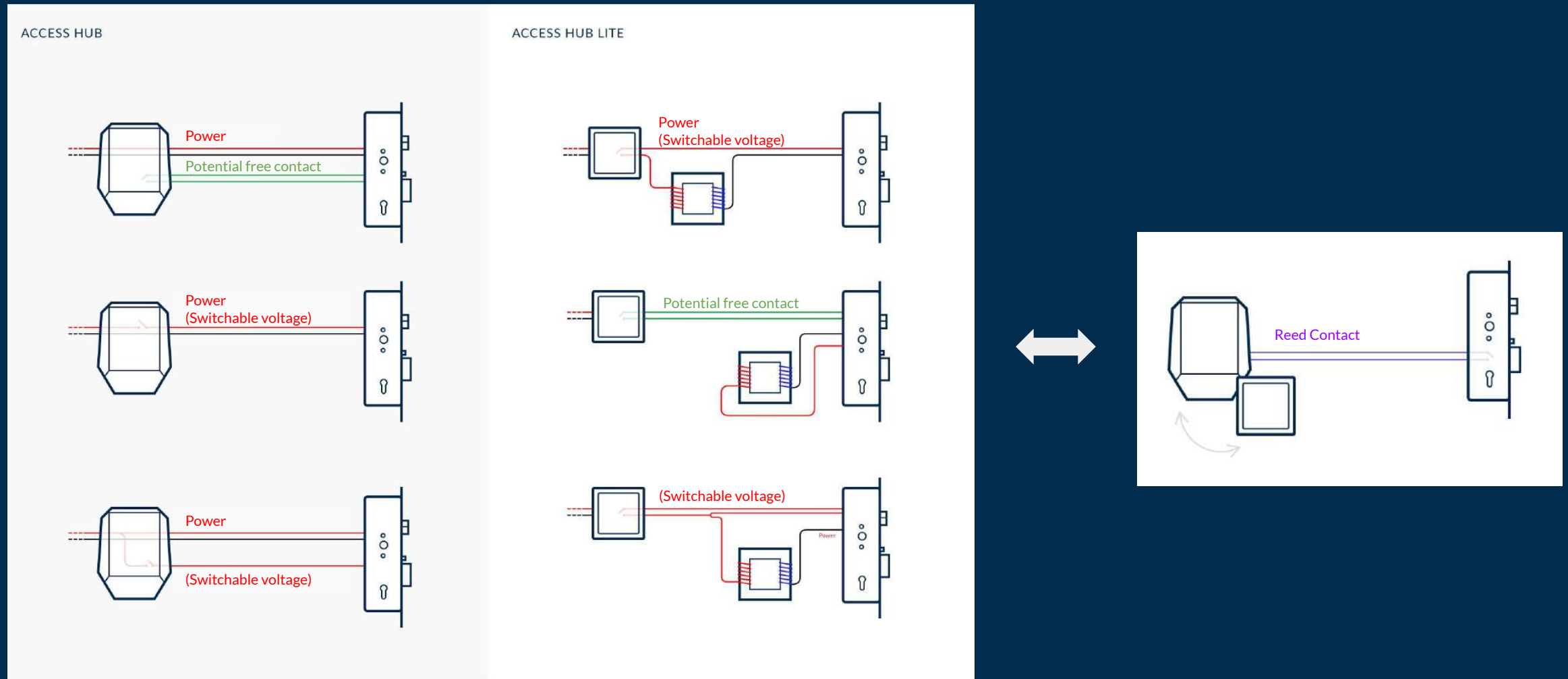
— Reed contact

— Unlock command
Potential free
12-24V opening

— PoE

Different types of connection between the Access Hub and the Lock

The cables are related to the type of lock. Please check with our support department to see what is best for your scenario.





ACCESS SCANNER

IP65-rated, this Bluetooth and NFC reader is built for placement inside door frames or wall interiors, or outside in the elements.



BRIDGE

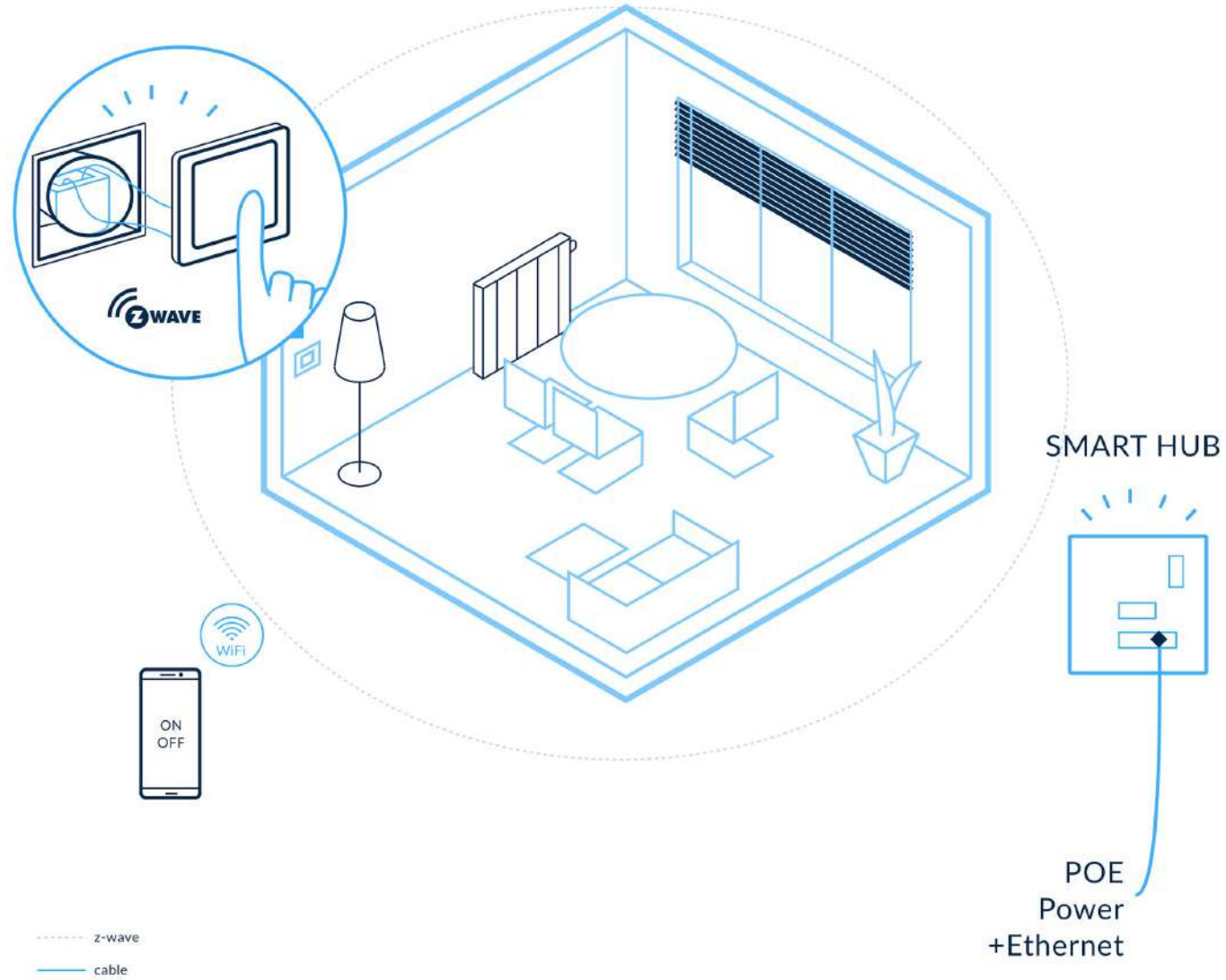
Our standard device controller, the Bridge manages our access control devices and connects them securely to our wider infrastructure.



SMART HUB

An extendable hub built for smart homes and device control. It comes in a fuse-box fitting housing and can be extended with ZWave, EnOcean, LTE, and more.

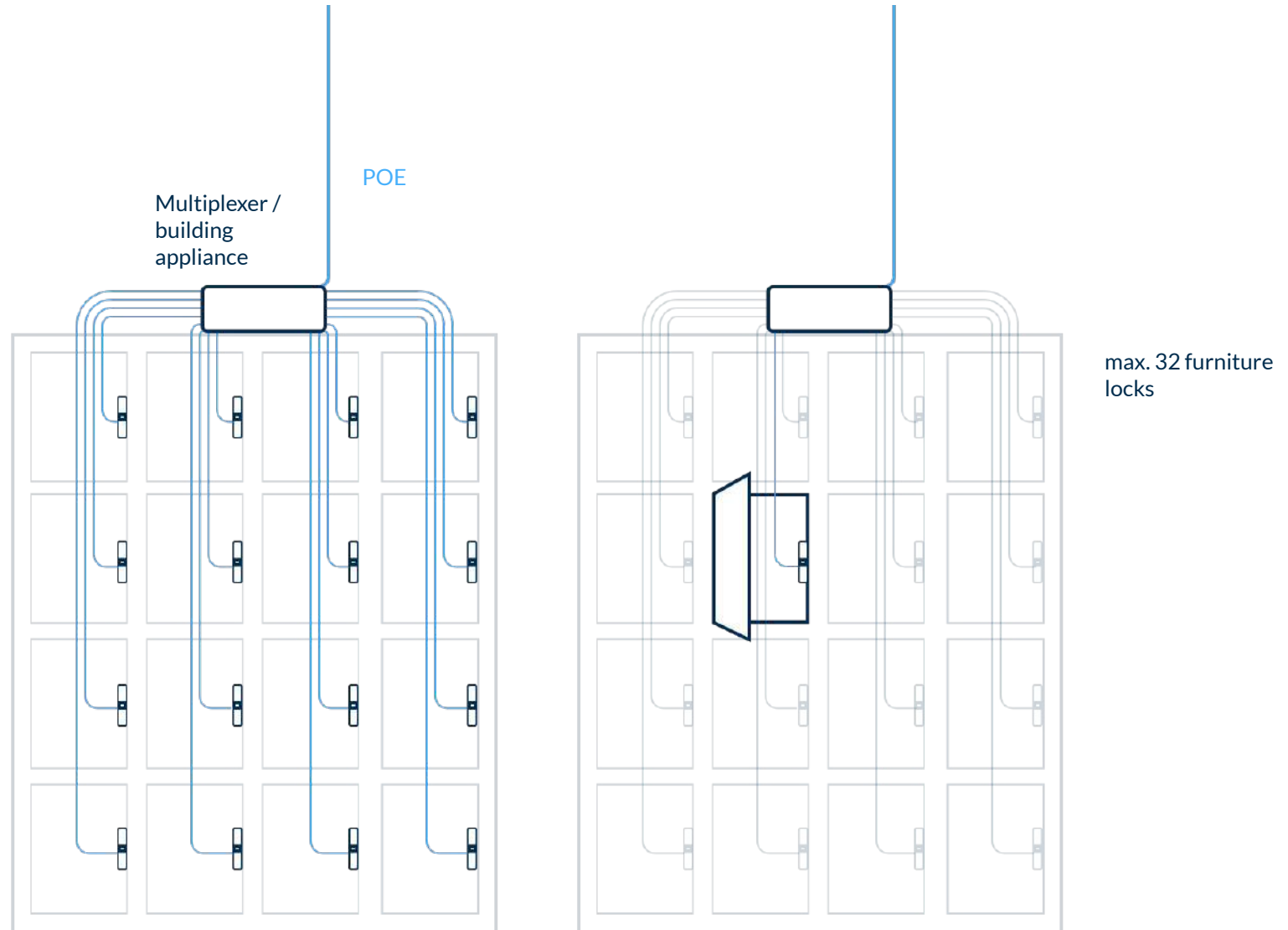
▲ Sensorberg Smart Hub: z-wave



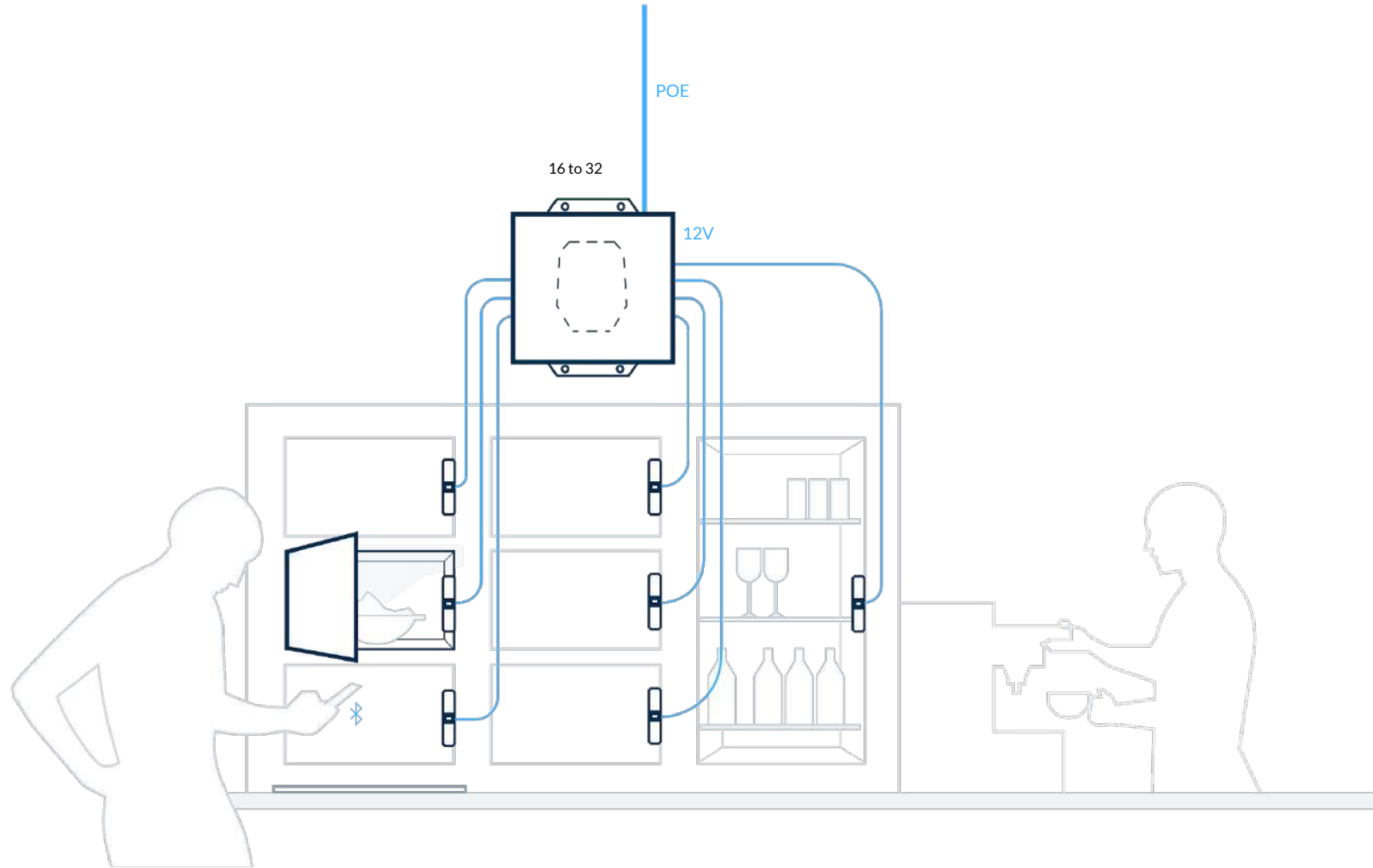


MULTIPLEXER

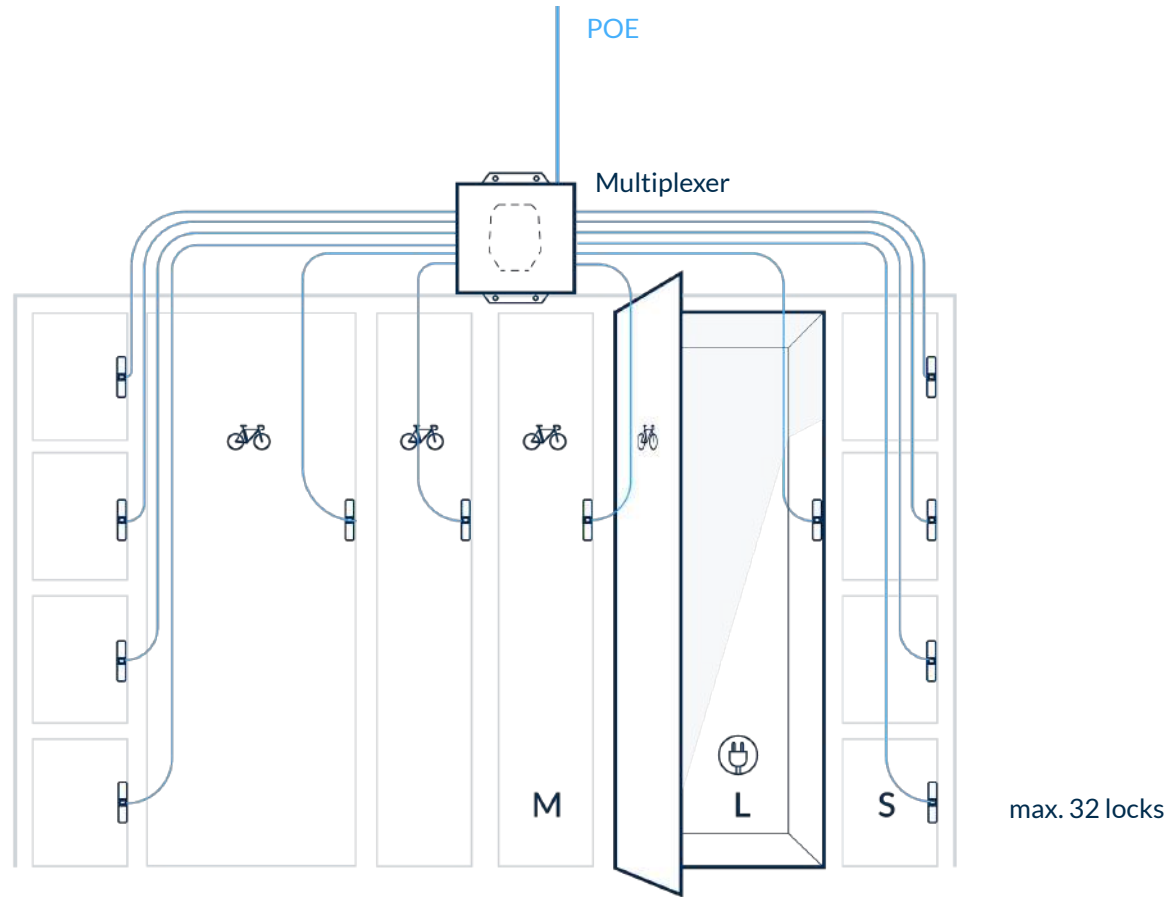
Our multiplexer is built to power, monitor, and manage up to 32 devices. These can include digital locks, self-storage boxes, motion detectors, elevators, bike stations, and more.

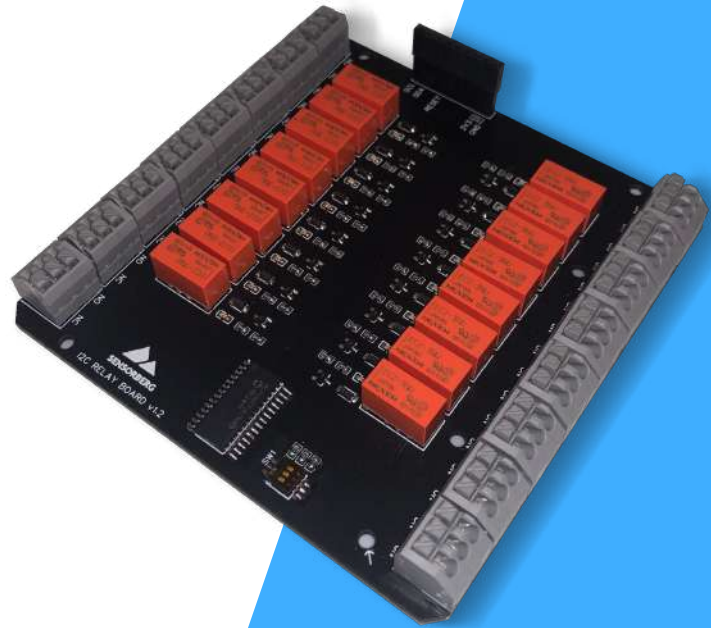


▲ Food locker



▲ Lockers

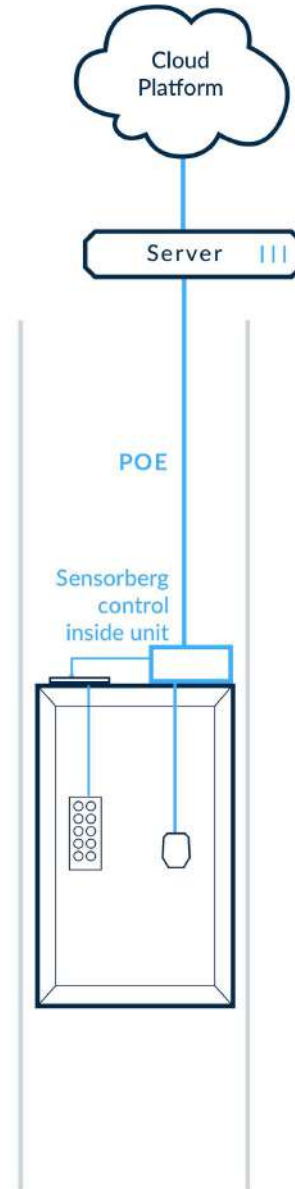




ELEVATOR CONTROL UNIT

Used to give access to floors in your building reachable by an elevator. Works via Bluetooth and NFC.

▲ Elevator





Access Hub

Our flagship access control device, used for access control, management and monitoring. Provides access via Bluetooth and LAN, with modular NFC and touch-button.



Access Hub Lite

A Wifi-enabled, slimmer profile Access Hub that can also be powered by either AC or DC, making its placement more flexible. Provides access via WiFi, Bluetooth, in-built NFC and touch-button.



Bridge

Our standard device controller, the Bridge manages our access control devices and connects them securely to our wider infrastructure.



Access Hub Protect

Our flagship access control device, used for access control, management and monitoring. It offers the best protection from vandalism, damage and extreme weather. Provides access via Bluetooth and LAN, with modular NFC and touch-button.



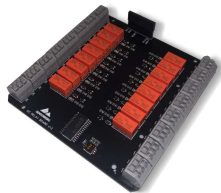
Access Hub Lite Protect

A Wifi-enabled, slimmer profile Access Hub that can also be powered by either AC or DC, making its placement more flexible. It offers the best protection from vandalism, damage and extreme weather. Provides access via WiFi, Bluetooth, in-built NFC and touch-button.



Access Scanner

IP65-rated, this Bluetooth and NFC reader is built for placement inside door frames or wall interiors, or outside in the elements.



Elevator Control Unit

Used to give access to floors in your building reachable by an elevator. Works via Bluetooth and NFC.



Multiplexer

Our multiplexer is built to power, monitor, and manage up to 32 devices. These can include digital locks, self-storage boxes, motion detectors, elevators, bike stations, and more.



Smart Hub

An extendable hub built for smart homes and device control. It comes in a fuse-box fitting housing and can be extended with ZWave, Zigbee, LTE, and more.